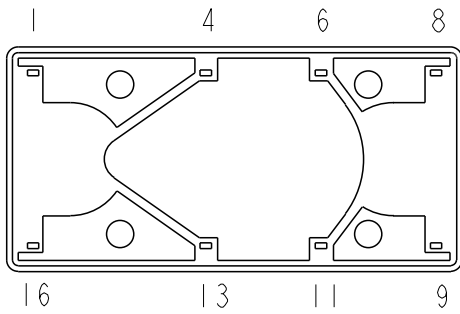
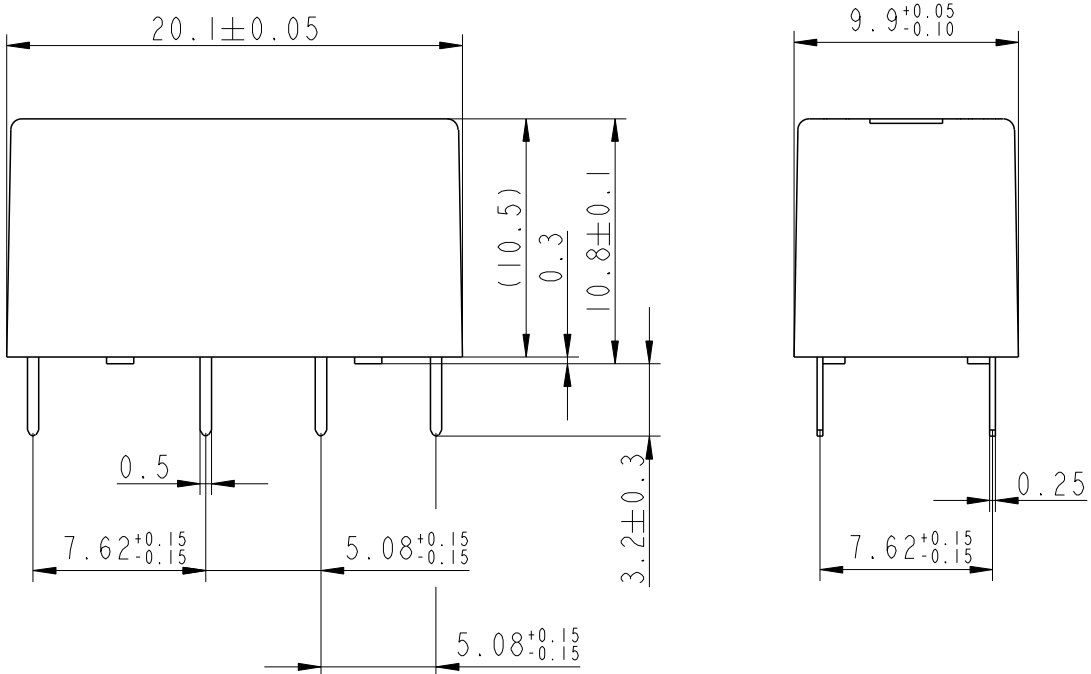


LOC	DIST	REVISIONS					
		P	LTR	DESCRIPTION	DATE	DWN	APVD
HJ	-		A7	Revised relay dimensions	06Sep2012	MV	PH
			A8	ECR-15-002263	29Jan2015	MV	PH



Relay - bottom view



AXICOM
D2n*
zzV DC **us**
V23105A5xxxA201*

xxx = Relay type
 zz = nominal voltage
 YYWW = Date code

alias C23303-A105-A1-*-27

RELEASED FOR PUBLICATION

THIS DRAWING IS UNPUBLISHED.

© COPYRIGHT BY TYCO-ELECTRONICS CORPORATION. ALL RIGHTS RESERVED.

DIMENSIONS: mm TOLERANCES UNLESS OTHERWISE SPECIFIED: DIN 7168-m 0 PLC ±- 1 PLC ± 2 PLC ± 3 PLC ± 4 PLC ± ANGLES ±	DWN MV10189 05May2004	MATERIAL -	FINISH -
	CHK HD9121 05May2004	NAME D2n Relays Dimensions	
	APVD HD9121 05May2004	SIZE A4	CAGE CODE 00779
	PRODUCT SPEC -	DRAWING NO C-1393792-2	RESTRICTED TO -
	APPLICATION SPEC -	SCALE 3:1 SHEET 1 OF 1 REV A8	
	WEIGHT -	CUSTOMER DRAWING	